

P.C.B Layout

■ Specifications :

- Voltage rating: 250V AC / DC
- Current rating: 7A AC / DC
- Withstanding voltage: 1500V AC/minute
- Temperature range: -25°C~+85°C
- Insulation resistance: $\geq 1000M\Omega$
- Contact resistance: $\leq 10m\Omega$
- After environmental testing: $\leq 20m\Omega$

8672 W V X-XX X -N2 SN XX
 ① ② ③ ④ ⑤ ⑥ ⑦ ⑧ ⑨

- ① Series No.
- ② Category: W-WAFER
- ③ Welding Board Angle: V-180°
- ④ Welding Way: Blank-DIP
- ⑤ Row No.-Pin No.: XX-Single Row
- ⑥ Plug the Pin & Special No.
- ⑦ Material: N2 -PA66 94V-2
- ⑧ Plating Category:
SN-Bright Tin Plating (70u")
- ⑨ Color:Blank-Natural Color

Poles	Dimensions(mm)		Poles	Dimensions(mm)	
	A	B		A	B
02	3.96	7.92	10	35.64	39.60
03	7.92	11.88	11	39.60	43.56
04	11.88	15.84	12	43.56	47.52
05	15.84	19.80	13	47.52	51.48
06	19.80	23.76	14	51.48	55.44
07	23.76	27.72	15	55.44	59.40
08	27.72	31.68	16	59.40	63.36
09	31.68	35.64			

8672WV-XX-N2SN	Nylon 66 UL 94V-2	Brass	Tin-Plated	8672H
PART NO	Material	Material(Pln)	Finish(Pln)	Mates With ADZL Housing

GENERAL TOLERANCE
 .X ± 0.30
 .XX ± 0.20
 .XXX ± 0.10

 思量连接器有限公司
 ADZL CONNECTORS CO.,LTD

PART NO. 8672WV-XX-N2SN

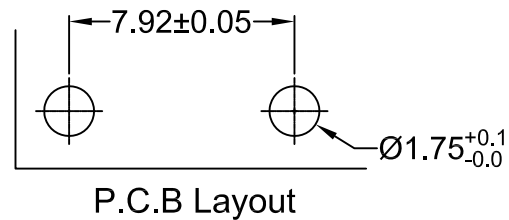
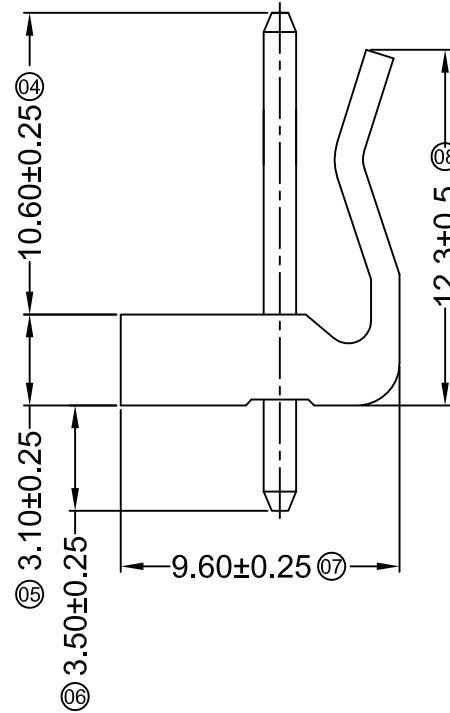
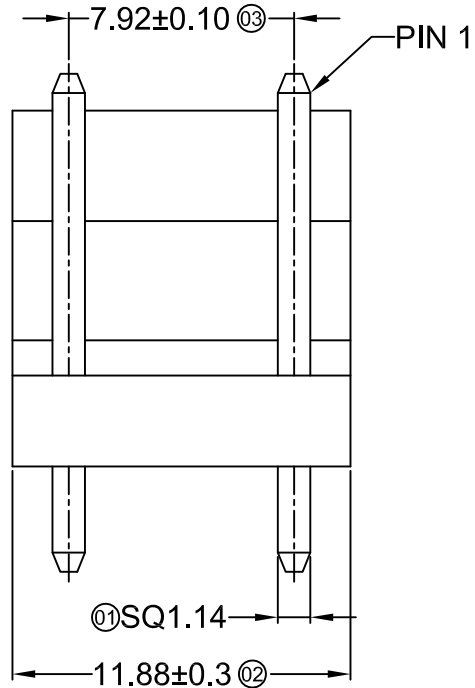
TITLE 3.96 mm Crimp Style Connectors

PROJECT 

APPROVAL	CHECK	DRAWN	DATA
Ken	Wisely He	Allen	2018/08/31

UNIT	SCALE	NUMBER	REV
MM	1:1	A-010	B

DATE	OLD REV	NEW REV	ECN	DESCRIPTION	CHECK	APPROVAL



■ Specifications :

- Voltage rating: 250V AC / DC
- Current rating: 7A AC / DC
- Withstanding voltage: 1500V AC/minute
- Temperature range: -25°C~+85°C
- Insulation resistance: ≥1000MΩ
- Contact resistance: ≤10mΩ
- After environmental testing: ≤20mΩ

8672 W V X-03 N02 -N2 SN XX
 ① ② ③ ④ ⑤ ⑥ ⑦ ⑧ ⑨

- ① Series No.
- ② Category: W-WAFER
- ③ Welding Board Angle: V-180°
- ④ Welding Way: Blank-DIP
- ⑤ Row No.-Pin No.: XX-03P
- ⑥ Plug the Pin & Special No.:
N02-Lack of the 2th Pin
- ⑦ Material: N2 -PA66 94V-2
- ⑧ Plating Category:
SN-Bright Tin Plating (70u")
- ⑨ Color:Blank-Natural Color

8672WV-XX-N2SN	Nylon 66 UL 94V-2	Brass	Tin-Plated	8672H
PART NO	Material	Material(Pin)	Finish(Pin)	Mates With ADZL Housing

GENERAL TOLERANCE
.X ±0.30
.XX ±0.20
.XXX ±0.10

 思量连接器有限公司
ADZL CONNECTORS CO.,LTD

PART NO. 8672WV-03N02-N2SN

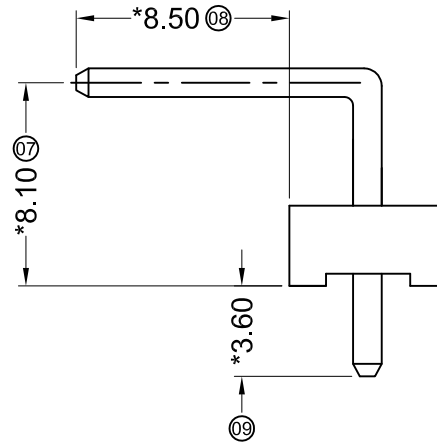
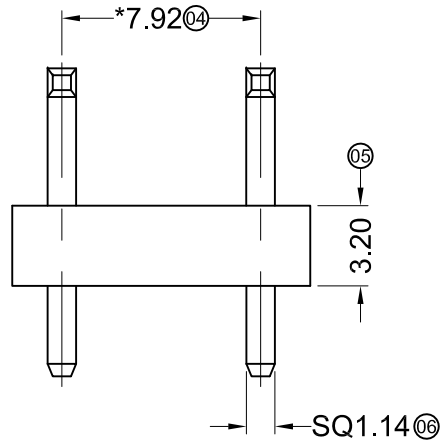
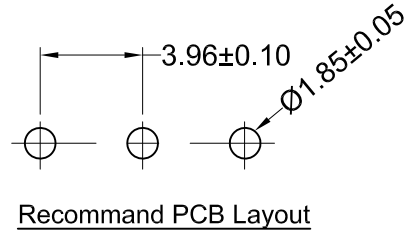
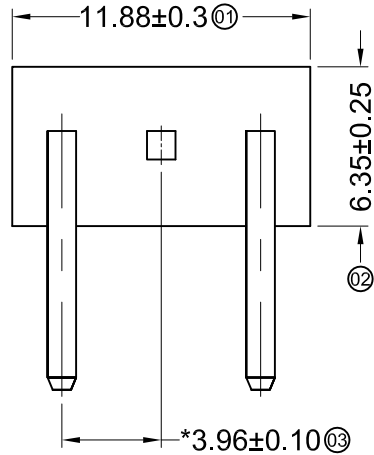
TITLE 3.96 mm Crimp Style Connectors

PROJECT


APPROVAL	CHECK	DRAWN	DATA
Ken	Wisely He	Allen	2018/08/31

UNIT	SCALE	NUMBER	REV
MM	1:1	A-010	B

DATE	OLD REV	NEW REV	ECN	DESCRIPTION	CHECK	APPROVAL
1			2			4



■ Specifications(规格):


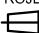
- Voltage rating(额定电压): 250V AC / DC
- Current rating(额定电流): 7A AC / DC
- Withstanding voltage(耐压值): 1500V AC/minute
- Temperature range(工作温度): -25°C~+85°C
- Insulation resistance(绝缘电阻): ≥1000MΩ
- Contact resistance(接触电阻): ≤10mΩ
- After environmental testing(环境测试后): ≤20mΩ

8672 W R X-03 BN02-N2 SN-H
① ② ③ ④ ⑤ ⑥ ⑦ ⑧ ⑨

- ①系列
- ②类别: W-WAFER类
- ③外观形态: R-90°(带脚式)
- ④成型方式: 空码-DIP
- ⑤PIN数: 03-03P
- ⑥特殊码: B-无靠背 N02-缺第2PIN
- ⑦材质: N2-PA66 94V-2
- ⑧电镀类别: SN-镀亮锡
- ⑨H-插板3.60mm 总针长L=22.6mm

8672WR-03BN02-N2SN-H	Nylon 66 UL 94V-2	Brass	Tin-Plated	8672H	1,000Pcs
PART NO	Material	Material(Pin)	Finish(Pin)	Mates With ADZL Housing	Q'ty/Bag

日期 DATE	旧版次 OLD REV	新版次 NEW REV	变更通知单 ECN	变更内容 DESCRIPTION	审核 CHK	核准 APPD	

一般公差 GENERAL TOLERANCE	
.X	±0.3
.XX	±0.2
.XXX	±0.05
角法	PROJECT
	

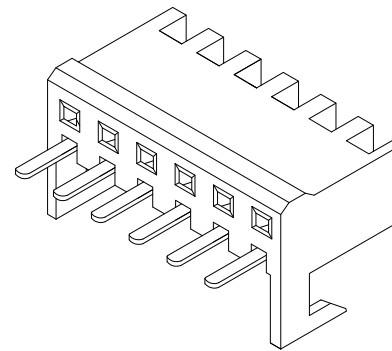
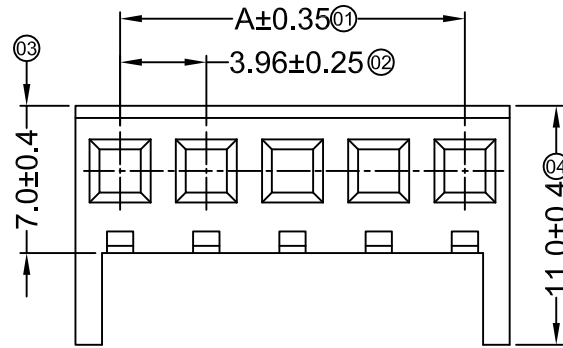
 思量连接器有限公司
ADZL CONNECTORS CO.,LTD

核准 APPD	审核 CHK	绘图 DR	日期 DATA
Ken	Wisely He	Allen	2018/08/22

料号 PART NO. 8672WR-03BN02-N2SN-H			
品名 TITLE 3.96 mm Crimp Style Connectors			
单位 UNIT	比例 SCALE	图号 NUMBER	版次 REV
MM	1:1	A-106	A

RoHS

TEL:0769-82285488



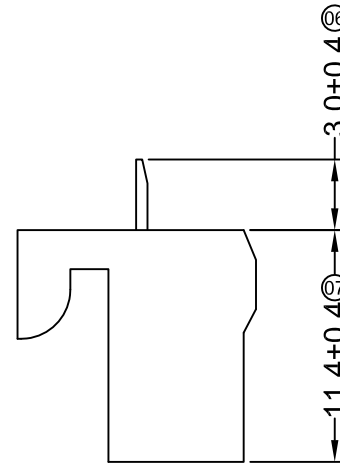
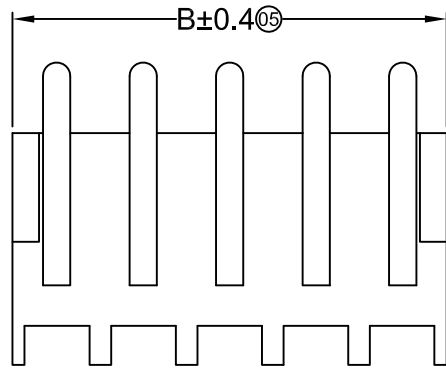
■ Specifications :

- Voltage rating: 250V AC / DC
- Current rating: 5A AC / DC
- Withstanding voltage: 1500V AC/minute
- Temperature range: -25°C~+85°C
- Insulation resistance: ≥1000MΩ
- Contact resistance: ≤10mΩ
- After environmental testing: ≤20mΩ

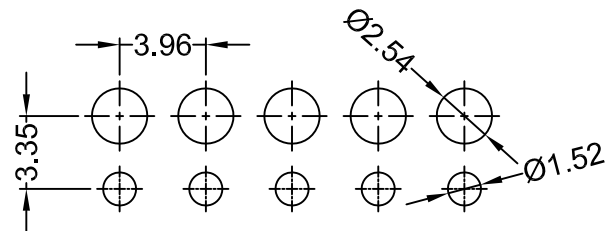
8672 W O X-XX P-XX SN-P

① ② ③ ④ ⑤ ⑥ ⑦ ⑧ ⑨

- ① Series No.
- ② Category: W-wafer
- ③ Welding Board Angle: 0-360°
- ④ Welding Way: Blank-DIP
- ⑤ Row No.-Pin No.: XX-Single row
- ⑥ Special No.: P-Plate
- ⑦ Material: N2-PA66 94V-2 ;N0-PA66 94V-0
- ⑧ Planting Category:SN-Bright tin plating
- ⑨ Color:Blank-Natural Color



Poles	Dimensions(mm)		Poles	Dimensions(mm)	
	A	B		A	B
02	3.96	8.06	10	35.64	39.74
03	7.92	12.02	11	39.60	43.70
04	11.88	15.98	12	43.56	47.66
05	15.84	19.94	13	47.52	51.62
06	19.80	23.90	14	51.48	55.58
07	23.76	27.86	15	55.44	59.54
08	27.72	31.82	16	59.40	63.50
09	31.68	35.78			



Recommended P.C.B Layout
General Tolerance±0.05

8672WO-XXP-N0SN	Nylon 66 UL 94V-0	Brass	Tin-Plated	8672H
8672WO-XXP-N2SN	Nylon 66 UL 94V-2			
PART NO	Material	Material(Pin)	Finish(Pin)	Mates With ADZL Housing

GENERAL TOLERANCE
.X ±0.30
.XX ±0.20
.XXX ±0.10

ADZL 思量连接器有限公司
ADZL CONNECTORS CO.,LTD

PART NO.
8672WO-XXP-XXSN

APPROVAL CHECK DRAWN DATA

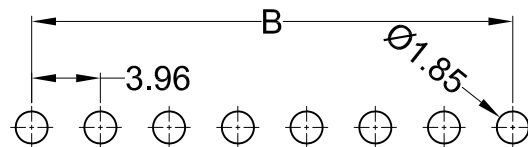
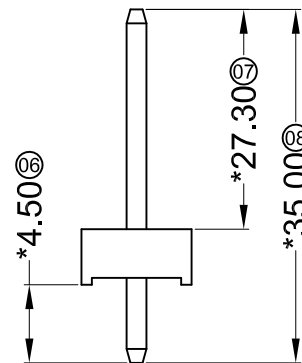
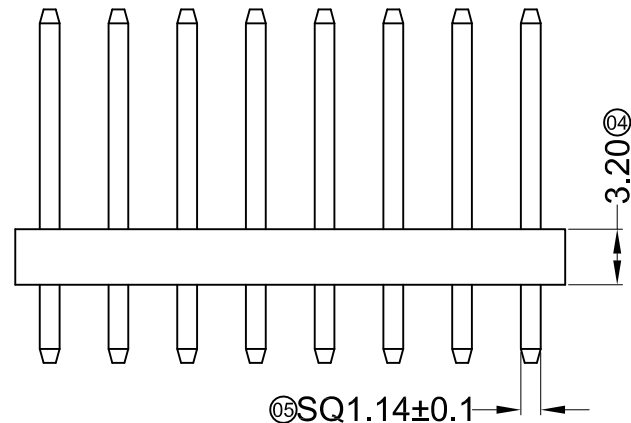
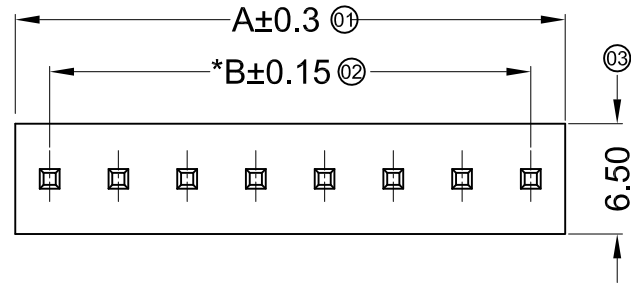
TITLE
3.96mm Crimp Style Connectors

DATE OLD REV NEW REV ECN DESCRIPTION CHECK APPROVAL

PROJECT

Ken Wisely He Allen 2016/10/13

UNIT SCALE NUMBER REV
MM 1:1 A-037 A



Recommended P.C.B Layout
General Tolerance±0.05

■ Specifications(规格):

- Voltage rating(额定电压): 250V AC / DC
- Current rating(额定电流): 7A AC / DC
- Withstanding voltage(耐压值): 1500V AC/minute
- Temperature range(工作温度): -25°C~+85°C
- Insulation resistance(绝缘电阻): ≥100MΩ
- Contact resistance(接触电阻): ≤10mΩ
- After environmental testing(环境测试后): ≤20mΩ
- Mark "*" Indicate Dimensions Need To Controlled In Emphasis(带 "*" 标记表示尺寸需要重点控制)

8672 W V X-XX C -N2 SN XX-P
① ② ③ ④ ⑤ ⑥ ⑦ ⑧ ⑨ ⑩

- ① 系列
- ② 类别: W-WAFER类
- ③ 外观形态: V-180°
- ④ 成型方式: 空码-DIP
- ⑤ PIN数: XX-02P~20P
- ⑥ 特殊码: C-无靠背、有凹槽
- ⑦ 材质: N2-PA66 94V-2
- ⑧ 电镀类别: SN-镀亮锡;
- ⑨ 颜色: 空码-黑色;
- ⑩ P-DIP4.50mm, Pin L=35.00mm

Poles	Dimensions(mm)		Poles	Dimensions(mm)	
	A	B		A	B
02	7.95	3.96	12	47.55	43.56
03	11.91	7.92	13	51.51	47.52
04	15.87	11.88	14	55.47	51.48
05	19.83	15.84	15	59.43	55.44
06	23.79	19.80	16	63.39	59.40
07	27.75	23.76	17	67.35	63.36
08	31.71	27.72	18	71.31	67.32
09	35.67	31.68	19	75.27	71.28
10	39.63	35.64	20	79.23	75.24
11	43.59	39.60			

8672WV-XXC-N2SN-P	PA66 UL 94V-2	Brass	Tin-Plated	8672H
PART NO	Material	Material(Pin)	Finish(Pin)	Mates With ADZL Housing

一般公差
GENERAL TOLERANCE

X	±0.30
.XX	±0.25
.XXX	±0.10

思量连接器有限公司
ADZL CONNECTORS CO.,LTD

料号 PART NO.
8672WV-XXC-N2SN-P

品名 TITLE
3.96 mm Crimp Style Connectors

日期 DATE	旧版次 OLD REV	新版次 NEW REV	变更通知单 ECN	变更内容 DESCRIPTION	审核 CHK	核准 APPD	角法 PROJECT
---------	-------------	-------------	-----------	------------------	--------	---------	------------

核准 APPD	审核 CHK	绘图 DR	日期 DATA
Ken	Wisely He	Allen	2019/05/18

单位 UNIT	比例 SCALE	图号 NUMBER	版次 REV
MM	1:1	A-000	A

■ Specifications :

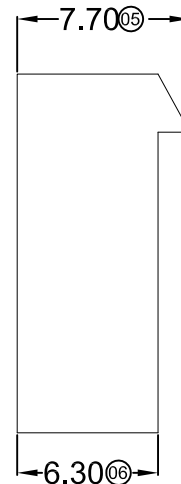
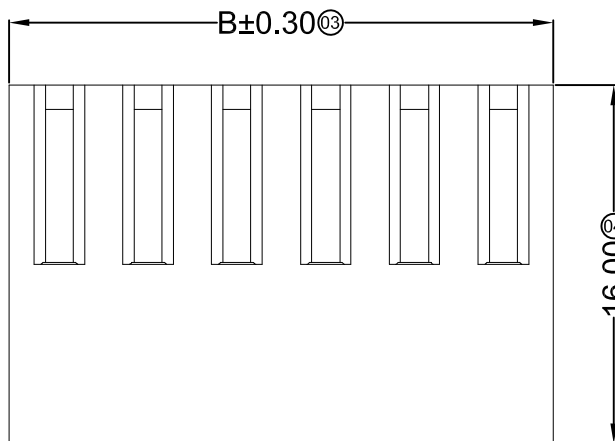
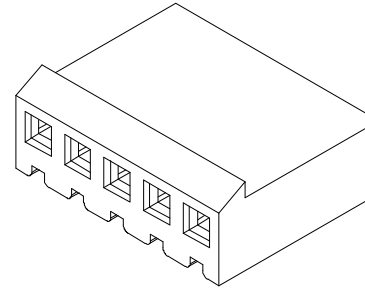
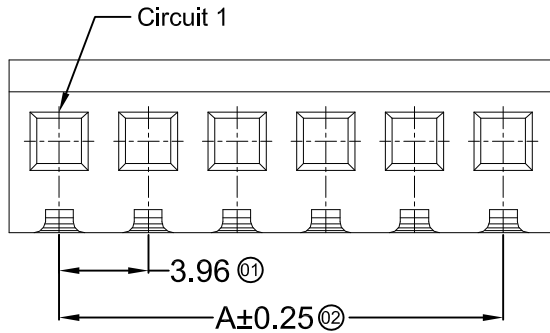
- Voltage rating: 250V AC / DC
- Current rating: 7A AC / DC
- Withstanding voltage: 1500V AC/minute
- Temperature range: -25°C~+85°C
- Insulation resistance: ≥1000MΩ
- Contact resistance: ≤10mΩ
- After environmental testing: ≤20mΩ

8672 H X-XX X-XX XX
① ②③④⑤⑥⑦

- ① Series No
- ② Category: H-HSG
- ③ Welding Board Angle: Blank-Ordinary
- ④ Row No.-Pin No.: XX-02P~20P
- ⑤ Plug the Pin & Special No.
- ⑥ Material: N0-PA66 94V-0; N2-PA66 94V-2
- ⑦ Color : Blank-Natural Color

Poles	Dimensions (mm)		Poles	Dimensions (mm)	
	A	B		A	B
2	3.96	8.43	12	43.56	48.03
3	7.92	12.39	13	47.52	51.99
4	11.88	16.35	14	51.48	55.95
5	15.84	20.31	15	55.44	59.91
6	19.80	24.27	16	59.40	63.87
7	23.76	28.23	17	63.36	67.83
8	27.72	32.19	18	67.32	71.79
9	31.68	36.15	19	71.28	75.75
10	35.64	40.11	20	75.24	79.71
11	39.60	44.07			

8672H-XX-N0	Nylon 66 UL 94V-0	8672T	8672W
8672H-XX-N2	Nylon 66 UL 94V-2		
PART NO	Material	Suitable ADZL Terminal	Mates With ADZL Wafer



GENERAL TOLERANCE

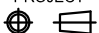
.X	±0.30
.XX	±0.20
.XXX	±0.10

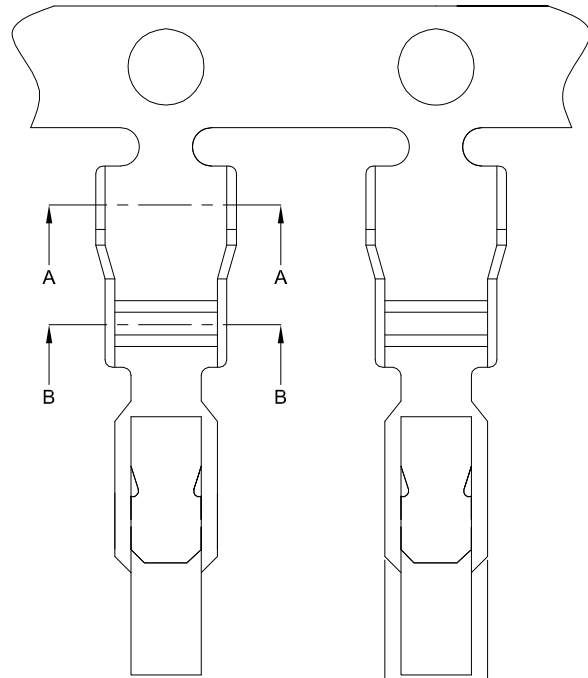
 思量连接器有限公司
ADZL CONNECTORS CO.,LTD

PART NO. 8672H-XX-XX
TITLE 3.96 mm Crimp Style Connectors

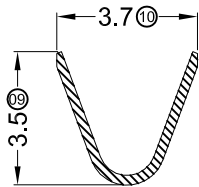
APPROVAL	CHECK	DRAWN	DATA
Ken	Wisely He	Allen	2018/09/01

UNIT	SCALE	NUMBER	REV
MM	1:1	A-0	A

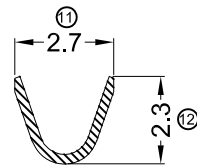
DATE	OLD REV	NEW REV	ECN	DESCRIPTION	CHECK	APPROVAL	PROJECT
							



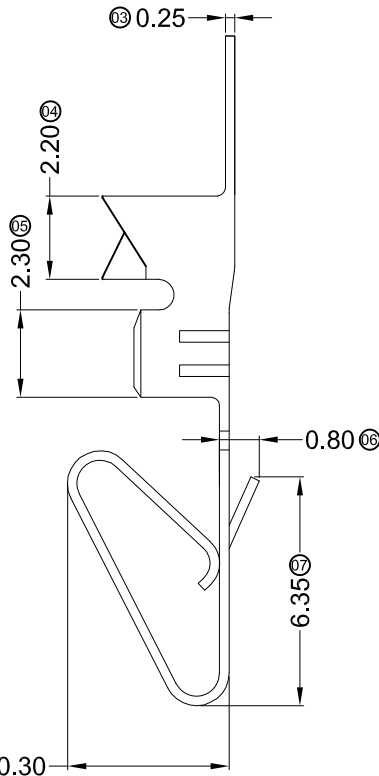
⑪ 1.80±0.15
⑫ 2.70±0.15



SECTION: A-A
SCALE: 1:1



SECTION: B-B
SCALE: 1:1



■ Specifications :

- Voltage rating: 250V AC / DC
- Current rating: 7A AC / DC
- Withstanding voltage: 1500V AC/minute
- Temperature range: -25°C~+85°C
- Insulation resistance: ≥1000MΩ
- Contact resistance: ≤10mΩ
- After environmental testing: ≤20mΩ

8672 T X - B XX X - X

① ② ③ ④ ⑤ ⑥ ⑦

- ① Series Number
- ② Category: T-terminal
- ③ Shape: Blank-ordinary
- ④ Material: B-Brass
- ⑤ Plating style: SN-Bright tin plating
- ⑥ G01-Gold Flash
- ⑦ Plating method: Blank-Stamping before plating
- ⑧ Mold No./Mark/Special No.

8672T-BSN	Phosphor Bronze	AWG#18-24	2.80mm(Max)	Stamping Before Plating;30u" Ni;70u"Sn Min.	8672H
PART NO	SCALE: 1:1	Wire Range	Insulation O.D.	Finish	Used In ADZL Housing

GENERAL TOLERANCE	
.X	±0.30
.XX	±0.20
.XXX	±0.10

 思量连接器有限公司
ADZL CONNECTORS CO.,LTD

PART NO. 8672T-BXXX
TITLE 3.96 mm Crimp Style Connectors

APPROVAL	CHECK	DRAWN	DATA
Ken	Wisely He	Allen	2018/09/01

UNIT	SCALE	NUMBER	REV
MM	1:1	A-0	A

DATE	OLD REV	NEW REV	ECN	DESCRIPTION	CHECK	APPROVAL	PROJECT
							